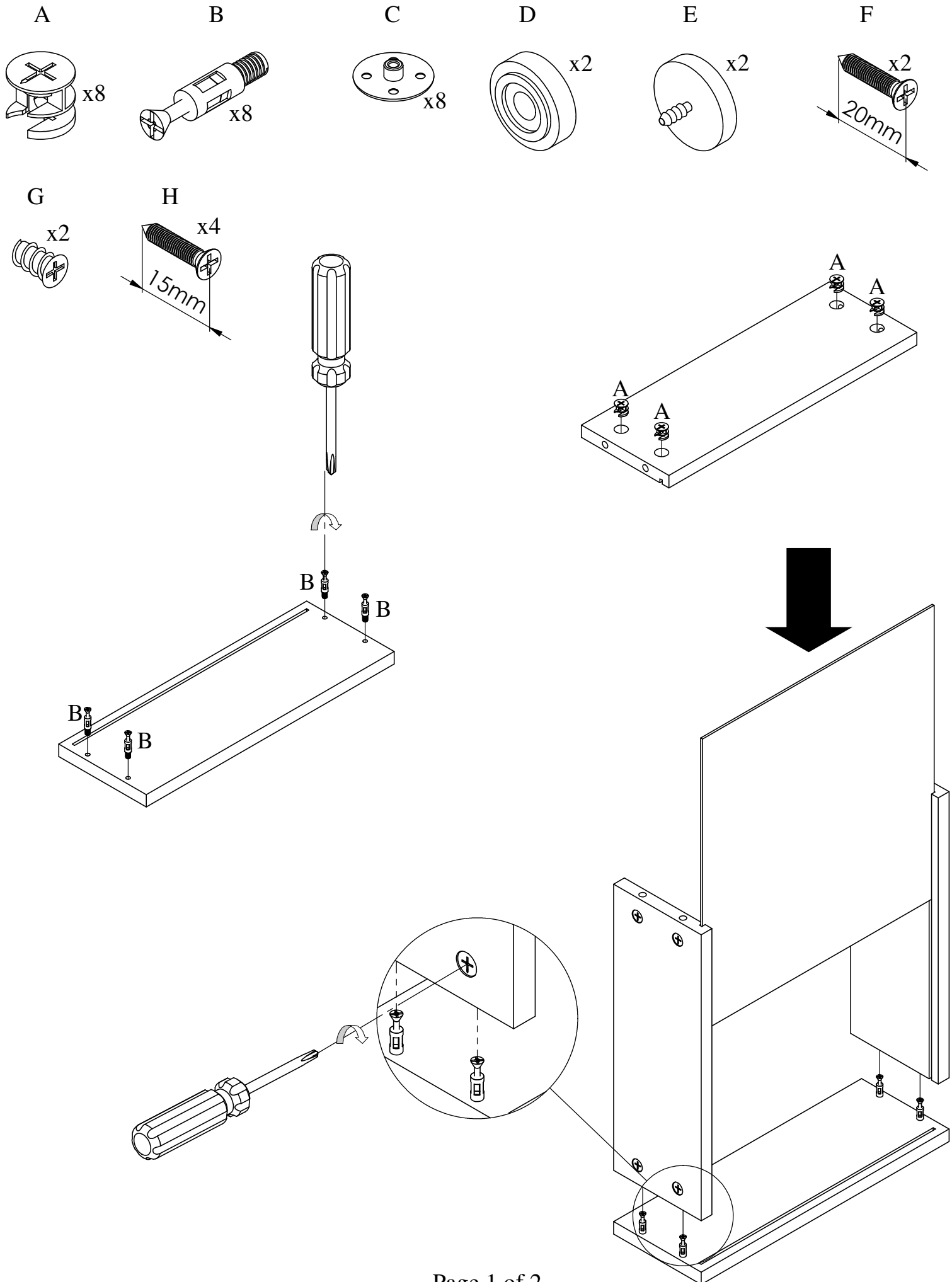
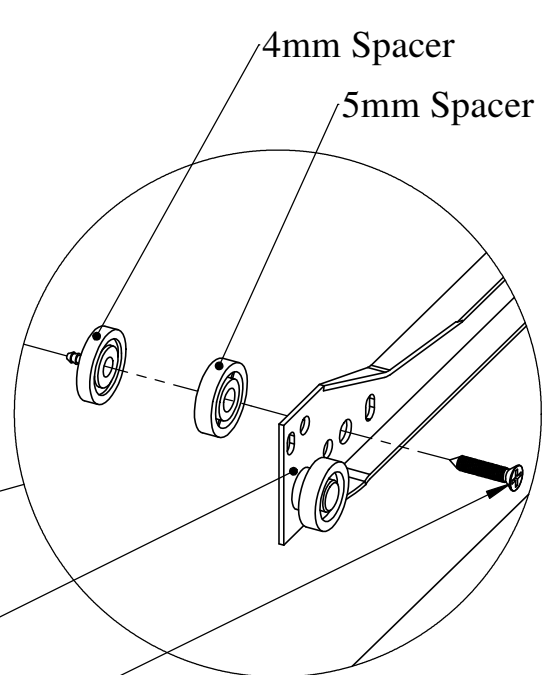
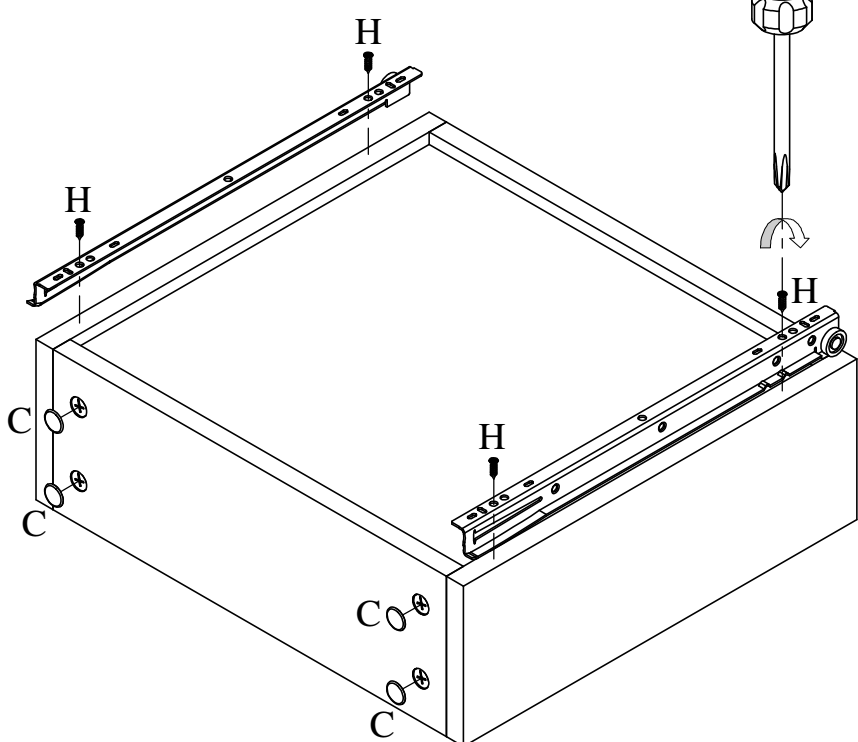
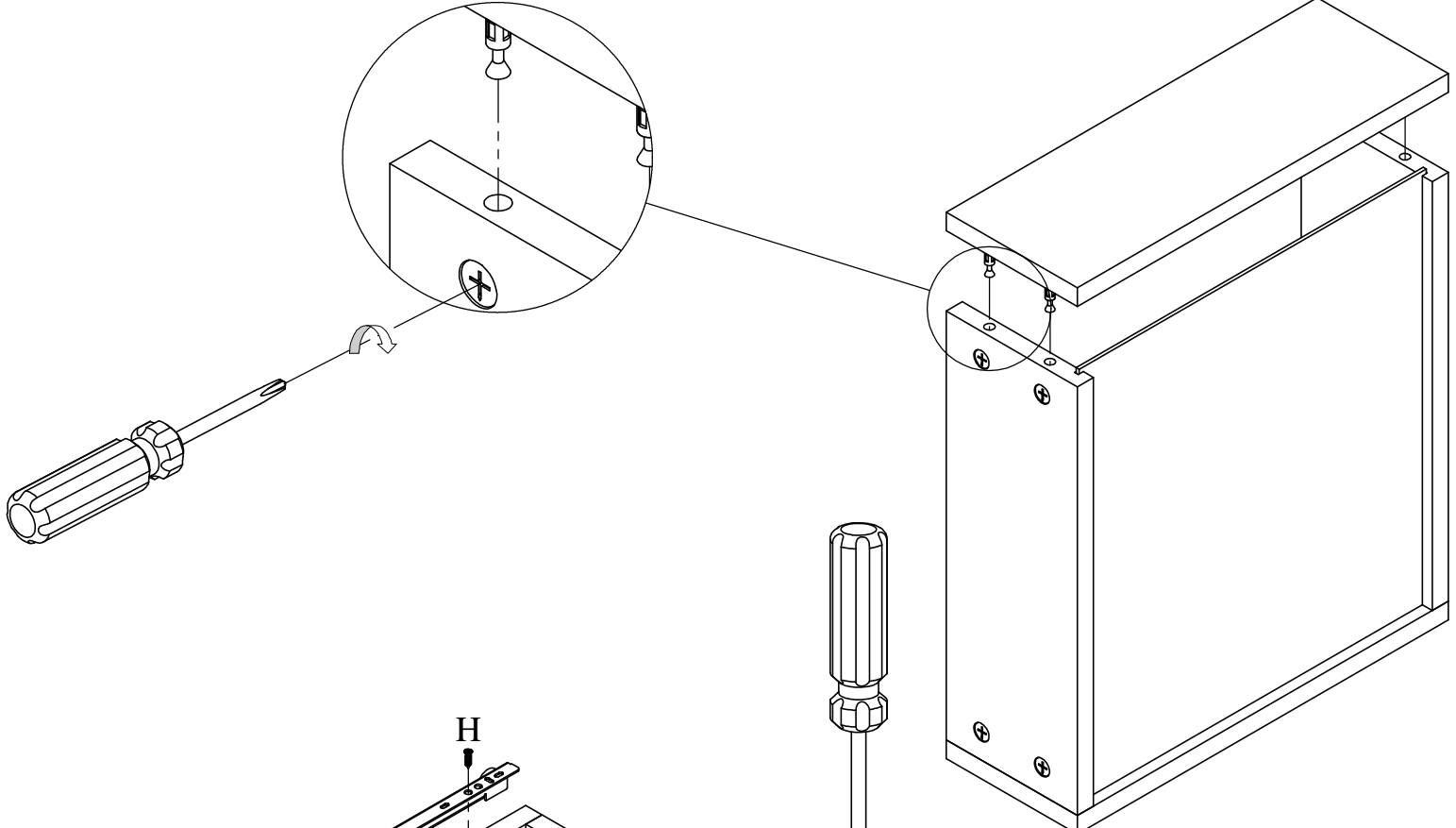
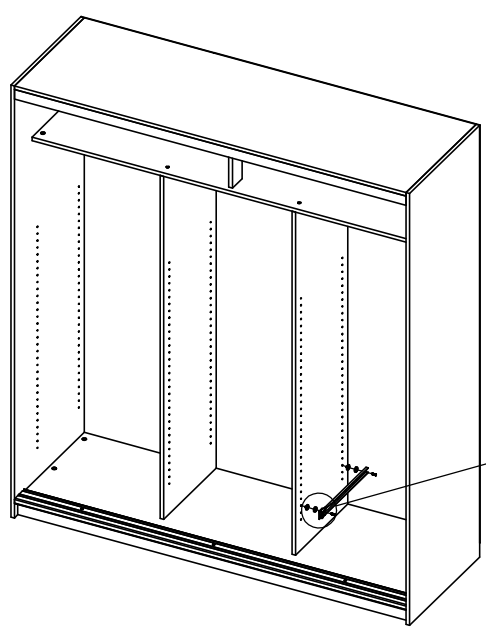


Drawer Pack for WS-2 Door/3 Door Sliding Robe





Spacer should always be attached to the division. Clip onto the 4mm spacer and insert into 5mm hole at the desired position using 20mm screws.



Drawer Runner

20mm Screw