

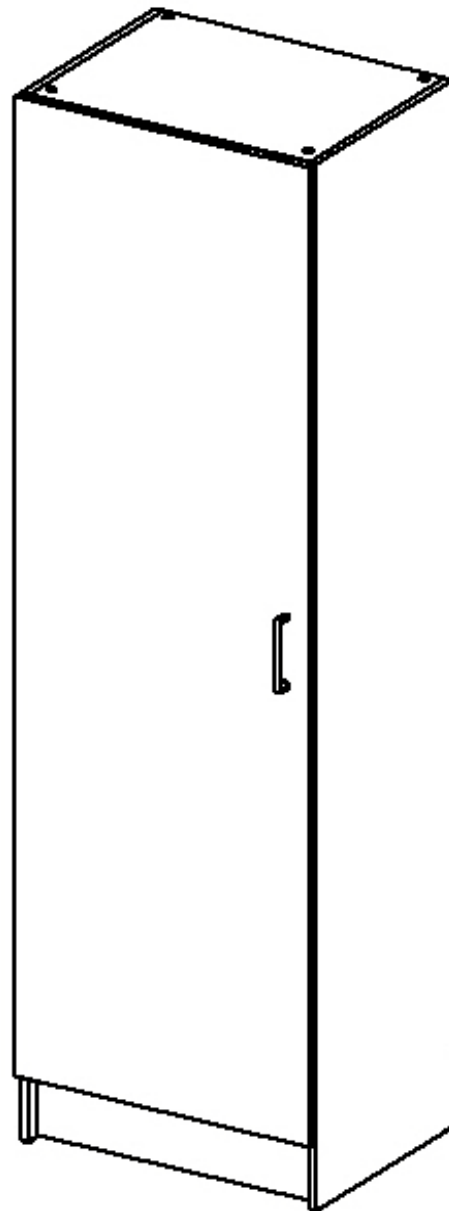
WS 1 Door Robe

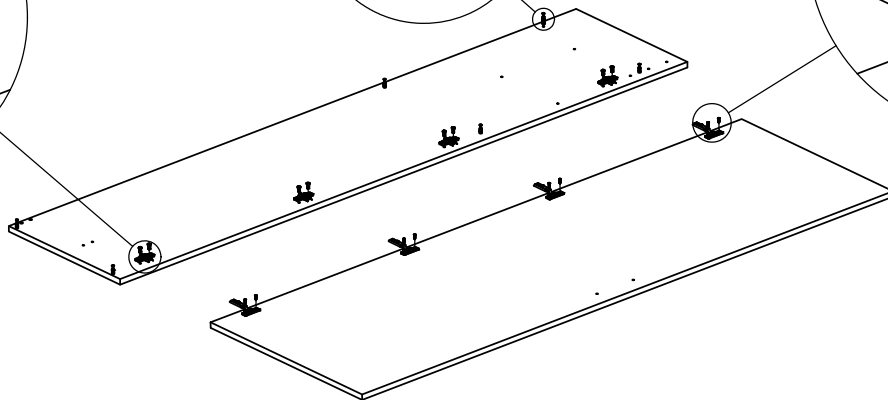
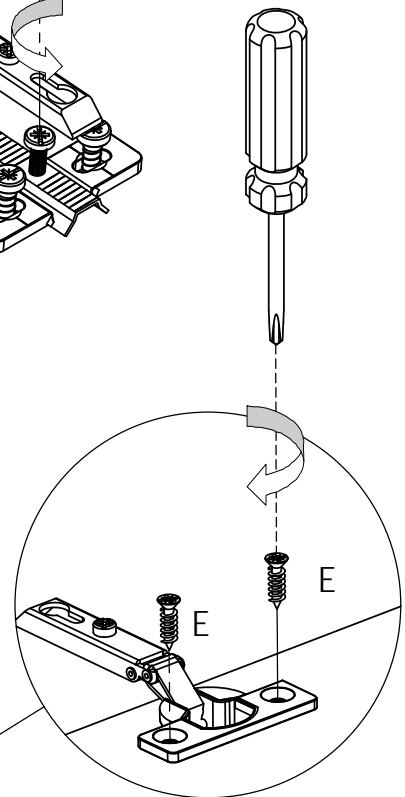
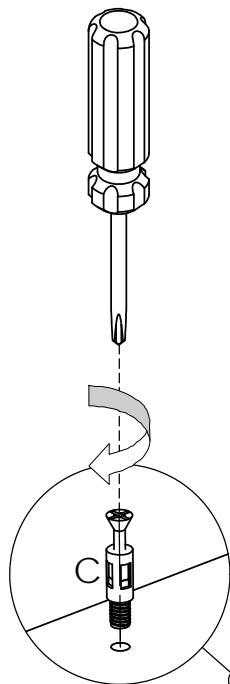
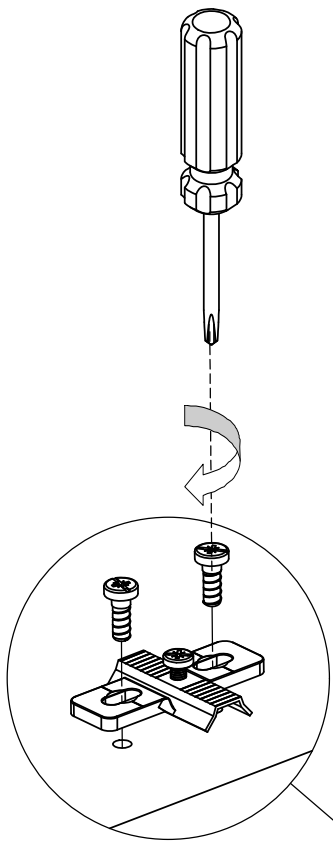
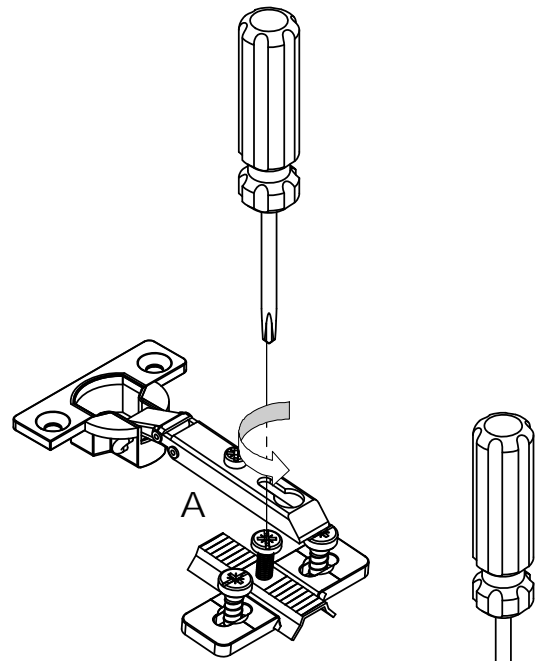
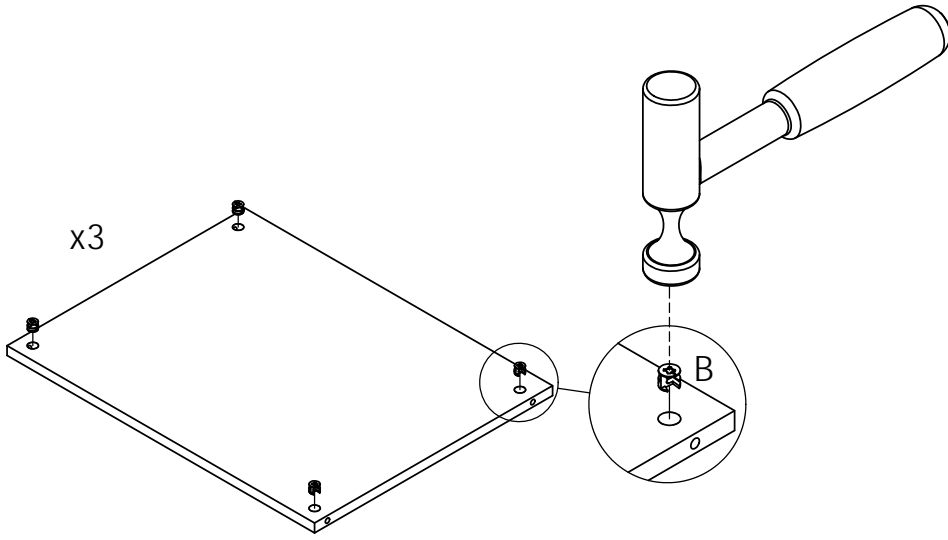
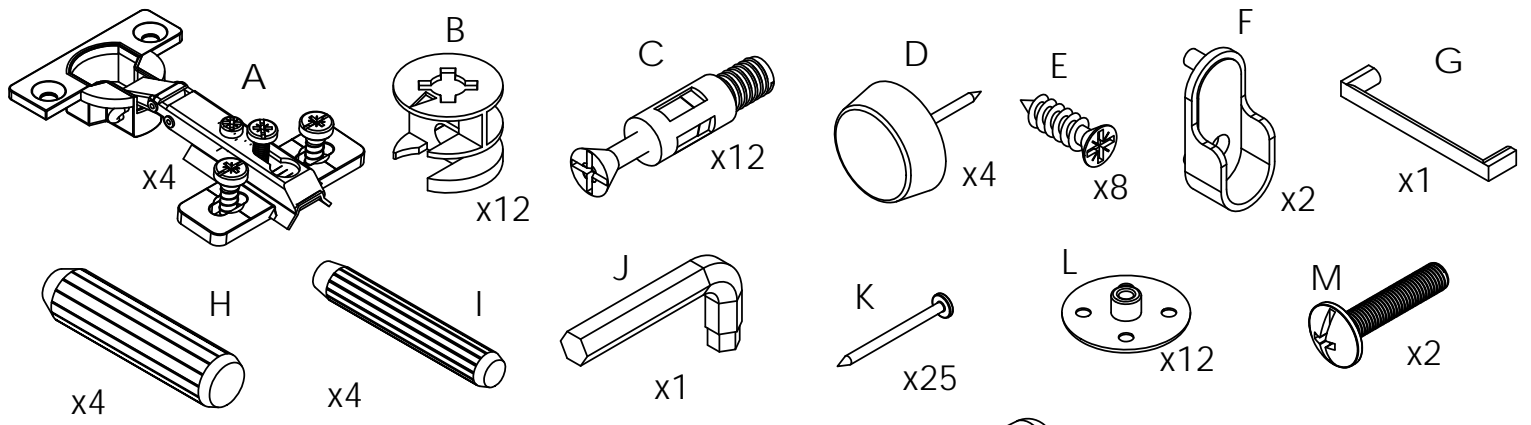
IMPORTANT

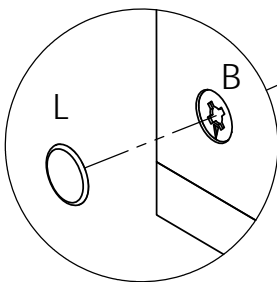
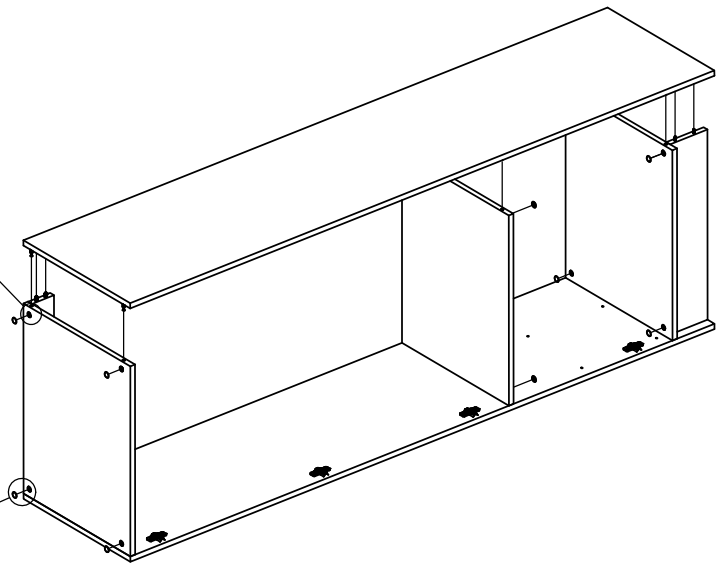
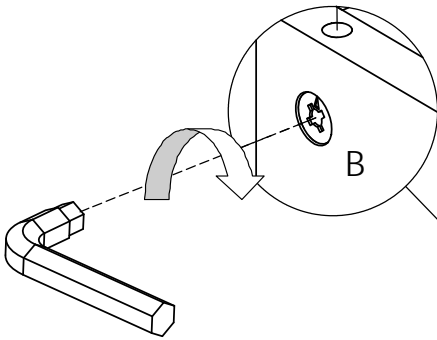
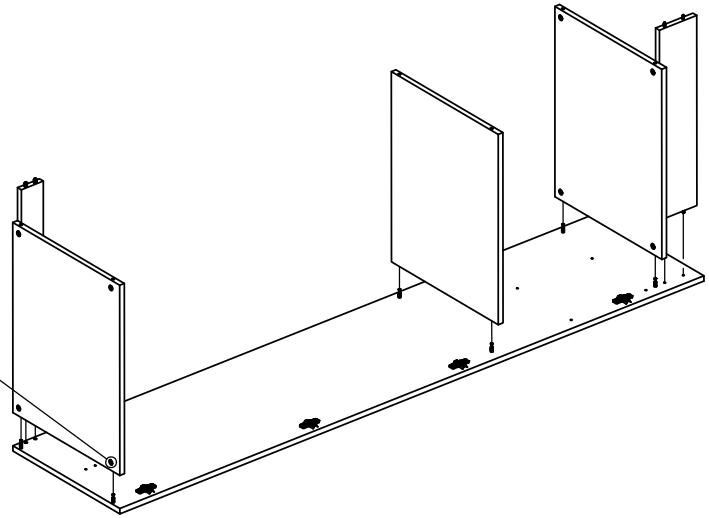
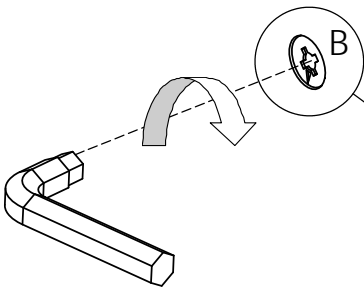
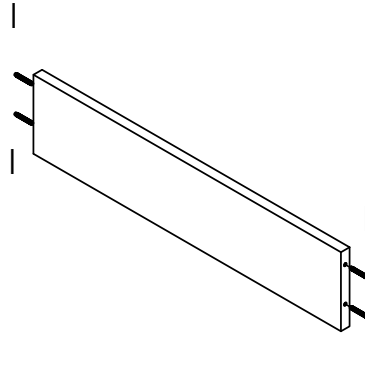
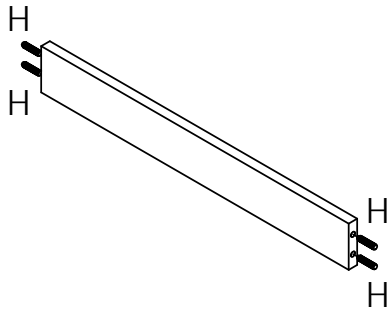
Before commencing assembly:

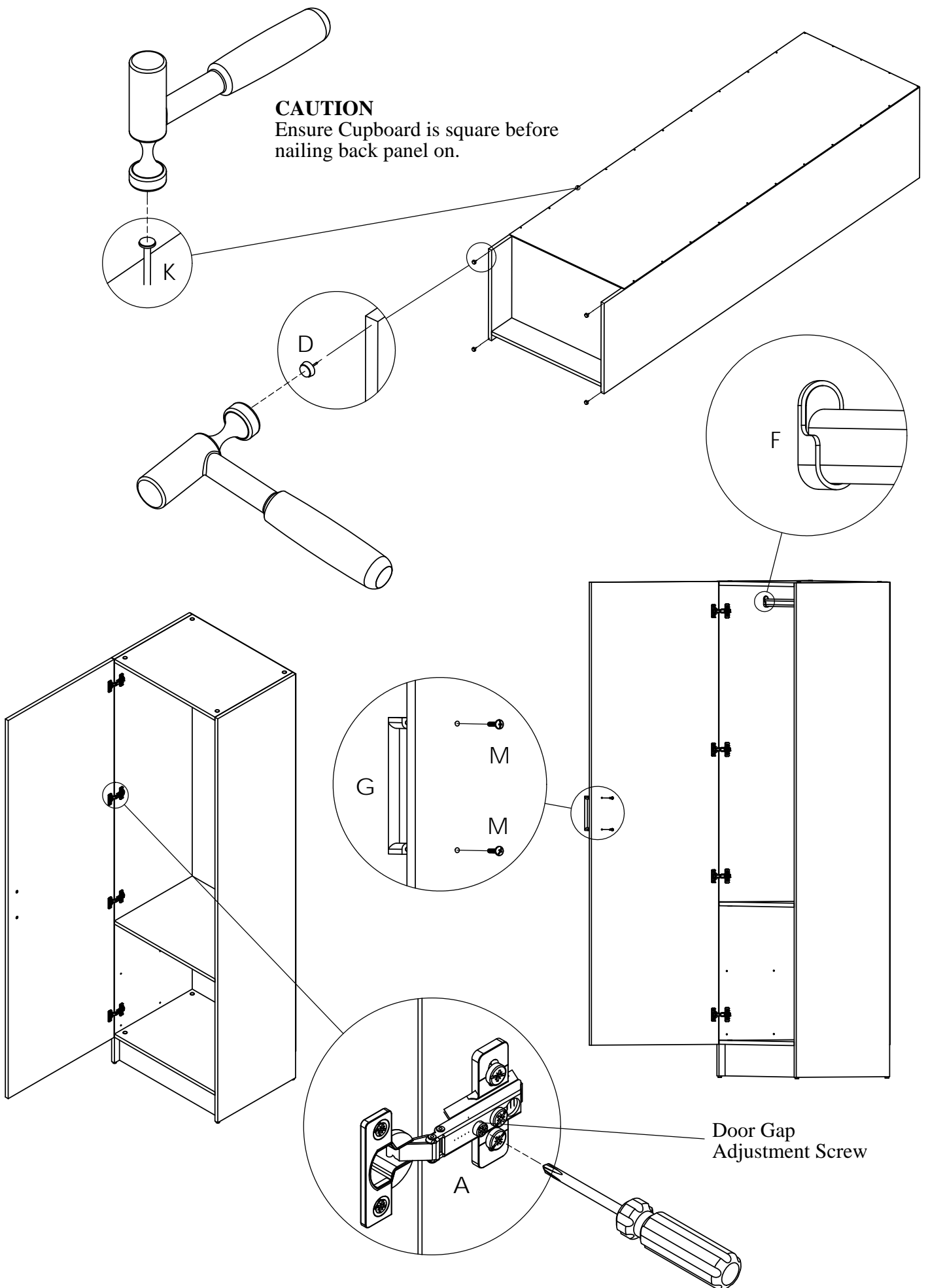
- Follow all instructions **COMPLETELY**.
- Hardware kit contains small parts; keep out of reach of children.
- Ensure all listed parts are present.
- Required tools to assemble:
Philips head screw driver, Battery Drill & Spirit Level.
- Required assembly work surface should be solid, level, clean and flat.
- Ensure all melamine edges are facing to the front of the unit.
- Two person assembly required.

Customer Services Enquiries 1800 822 823









CAUTION
Ensure Cupboard is square before nailing back panel on.

Door Gap Adjustment Screw

It is strongly recommended to secure the unit to the wall, otherwise, it may tip forward when opened empty.

Bedford Furniture is part of the Bedford Group. Bedford is a South Australian not-for-profit organisation dedicated to enhancing the lives of people with a disability or disadvantage through employment, training, residential services and life-skills.