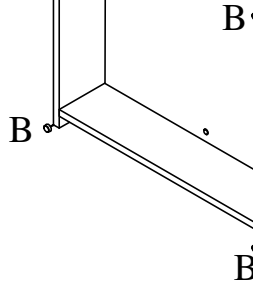
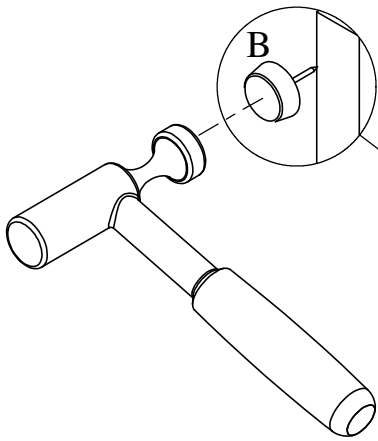
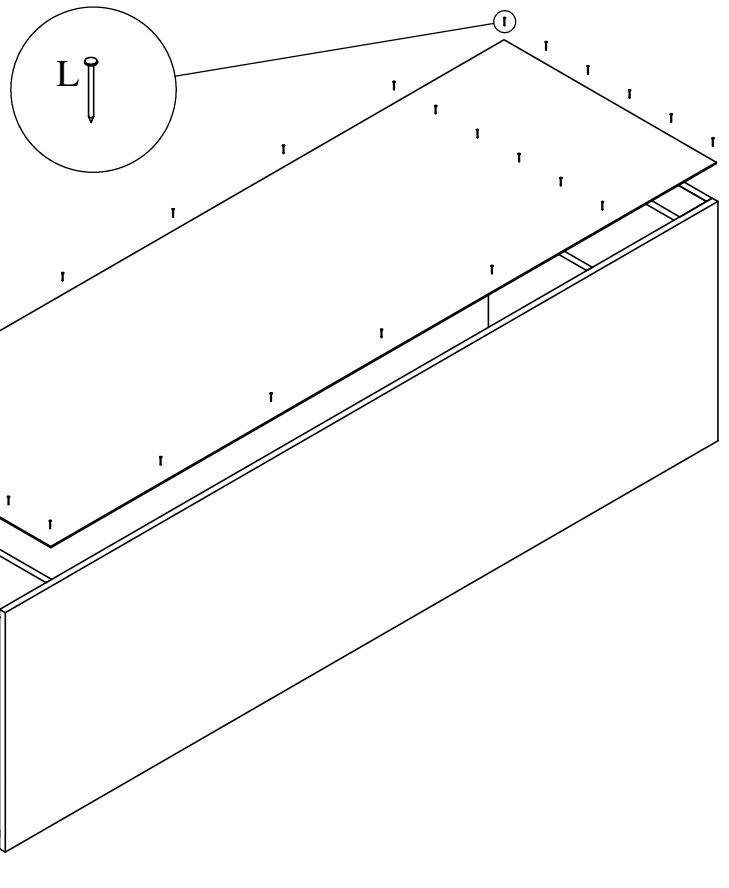
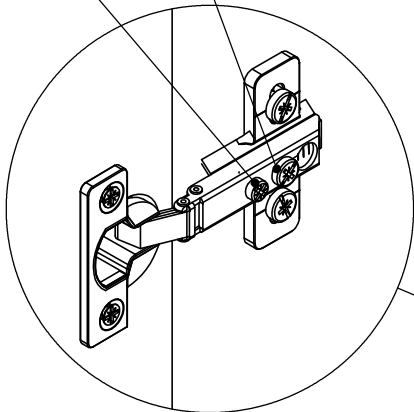


Caution:
Ensure cupboard is square before nailing back panel.



Screw 2

Screw 1



- Screw 1 is used for adjustment
- Screw 2 is used to secure hinge to end

The following instructions show how to adjust hinges if the gap between the doors is too wide.

1. Start from the top hinge
2. Loosen *screw 2* by turning screw in an anti-clockwise direction.
3. Now turn screw 1 in a clockwise direction (the amount to turn this screw is determined by the width of the gap between the doors).
4. Tighten screw 2 by turning in a clockwise direction
5. Repeat these steps for the centre hinge and bottom hinge
6. Repeat these steps again with the other door
7. Check gap between doors (should be approx 2mm), if not repeat steps 1 to 5.

